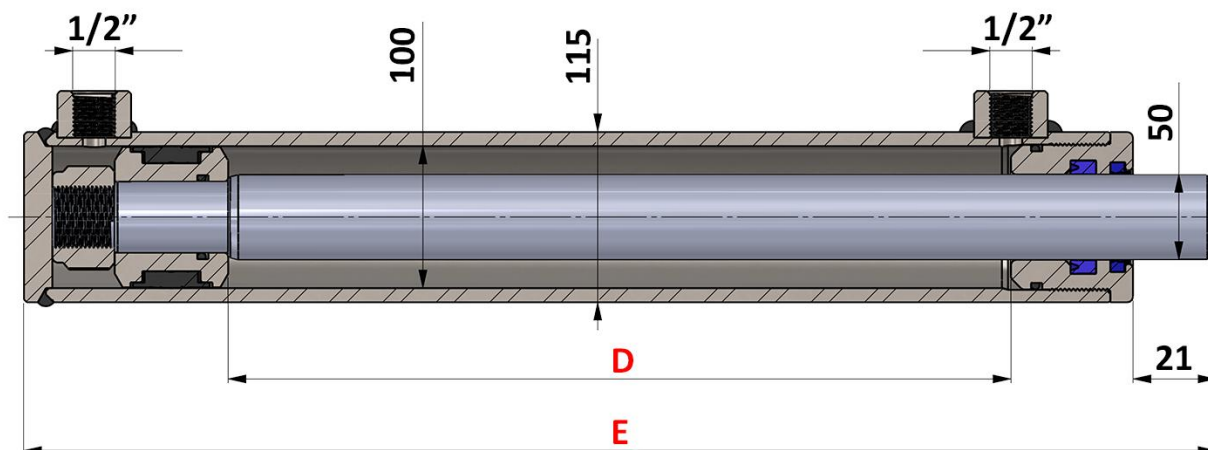


TEHNIČNI LIST - DIMENZIJE

HIDRAVLIČNI CILINDRI STANDARD 100/50-xxx



	STANDARD	E	D (hod)
Šifra	70/40-xxx	[mm]	
12136	100/50-100	286	100
12137	100/50-150	336	150
12138	100/50-200	386	200
12139	100/50-250	436	250
12140	100/50-300	486	300
12141	100/50-350	536	350
12142	100/50-400	586	400
12143	100/50-450	636	450
12144	100/50-500	686	500
12145	100/50-550	736	550
12146	100/50-600	786	600
12147	100/50-700	886	700
12148	100/50-800	986	800
12149	100/50-900	1086	900
12150	100/50-1000	1186	1000
12151	100/50-1100	1286	1100
12152	100/50-1200	1386	1200
12153	100/50-1300	1486	1300
12154	100/50-1400	1586	1400
12155	100/50-1500	1686	1500
14839	100/50-1750	1936	1750
14840	100/50-2000	2186	2000